

EN

NL



**SUNDIRECT**  
INFRARED HEATER

---

# **PE-Plus IC-Plus GD-Plus MD-Plus**

## Infrared Panel Heater



## **Installation & Operation Instructions**

Version: SDUM-1801-01

# Table of Contents

EN

1. Notice to purchaser
2. General Introduction
3. Safety Instructions
  1. Product related safety warnings
  2. Dangers for children and persons with limited abilities
  3. Electric safety directions
  4. Waterproof
4. How to care for your heater
  1. Cleaning
  - 4.2 Using/Working
  - 4.3 Repair
  - 4.4 Disposal
5. Installation and operation guide
  1. Description
  2. Pair to Sundirect Smart control system
  3. Dismiss the connection between receiver and remote control
  4. Installation manual for PE-Plus Series
  5. Installation manual for IC-Plus|GD-Plus|MD-Plus Series
  6. Electric power connection
6. Technical specifications
7. Warranty

## **1. Notice to Purchaser**

Thanks for purchasing this Sundirect infrared heater. We hope you enjoy this innovative technology and that this product will bring a pleasant atmosphere to your home.

Please read these instructions carefully and keep safe for future use. Failure to comply with these instructions will void your warranty. Do not disassemble or tamper with the product at any time! Please pay special attention to the safety instructions and use the heater according to these instructions. Sundirect Technology Ltd. shall not be liable for any damage or loss occurred resulting from failure to follow these instructions.

## **2. General Introduction**

Sundirect Infrared heaters heat objects instead of the air, making this heater much more efficient than traditional convection heaters.

The Sundirect Plus series represents a new generation of infrared panel heaters, equipped with a built-in thermostat receiver inside of the junction box (Article Number: Receiver01) on the backside of the panel. It needs to be used in conjunction with the Sundirect control system - Smart 1.0 or Smart 1.0Pro (NOT included in the box) - in order to meet the Ecodesign legislation of the EU/EC Directive 2009/125/EC.

Our remote control Smart 1.0 has the following features:

- \* 7days program, 4 time zones each day
- \* Adaptive start

While remote control Smart 1.0Pro is an upgraded version of Smart 1.0 and has the following features:

- \* 7days program, 4 time zones each day
- \* Open window technology
- \* Adaptive start
- \* Remote controllable by Mobile APP.

You may find detailed specifications and instructions in the manual of Smart 1.0/1.0Pro separate from this manual.

This product complies with the LVD guideline 2014/35/EU and the EMC guideline 2014/30/EU and meets the following standards:

EN60335-1:2012+A11:2014

EN60335-2-30:2009+A11:2012

EN62233:2008

Rohs 2011/65/EU

RED2014/53/EU

**Read the installation and operating instructions completely before starting any installation works and save the instructions for later use.**



### **3. Safety instructions**

**TO REDUCE THE RISK OF FIRE, ELECTRIC SHOCK OR INJURY:**

#### **1. Product related safety warnings**

- Sundirect infrared heaters operate at a surface temperature of around 95°C when wall mounted. Do NOT touch the heater when switched on.
- Prolonged contact may cause injuries or burns.
- Do NOT cover the heater with anything. Covering may cause overheating and can result in fire.
- The heater should NOT be used to dry textiles and no objects shall be placed or leaned against the heater.
- Keep a distance of at least 40cm in the front and 20cm on the sides to any object, wall or ceiling. Failure to do so will cause heat to build up behind the heater and will void your warranty.
- If mounting the heater on the ceiling keep a minimum distance from the ceiling of 2cm to ensure airflow avoiding overheating of the heater.
- If integrating the heater into a ceiling grid make sure not to place any insulation material directly onto the rear of the panel to avoid overheating.

#### **3.2 Dangers for children and persons with limited abilities**

- Children or persons with limited physical, mental or sensory abilities shall not be operating, switching on, plugging in, regulating or cleaning the heater.
- Small children should be kept away from the heater unless constantly supervised.
- Do NOT operate the heater in small rooms when occupied by people not capable of leaving the room by themselves. The surface of the heater can reach a surface temperature of up to 95°C, keep out of reach of children and disabled persons.
- Keep away babies and children from all packaging material such as plastic bags to avoid danger of suffocation.

### **3.3 Electric safety directions**

- When installing, repairing or servicing the heater it must be turned off and disconnected from power. Before installation please check if the heater is free of damages.
- If the heater or the power cord is damaged in any form do NOT use the heater and contact your Sundirect dealer for repair or replacement. Repairs, maintenance or any changes must be carried out by an authorized Sundirect dealer.
- Do NOT attempt to repair the heater by yourself, this will void your warranty.
- If the heater has been dropped do NOT operate it and contact your Sundirect dealer to make sure it is free of any damages.
- If the safety glass from the GD-Plus/MD-Plus series is damaged in any way please dismount the heater as soon as possible to avoid any injuries from possible impact of the falling glass.
- Sundirect heaters are designed to operate at 220-240V, 50Hz AC. If your supply mains do not comply with this, do NOT use the heater.

### **3.4 Water Proof**

Sundirect infrared heaters have different IP ratings on different models. Please make sure to only install heaters with IP44 rating in humid rooms. Heaters with IPX2 ratings are not suitable to be installed in bathrooms etc. Please carefully check the specifications to confirm if your heater is suitable for installation in humid rooms.

This heater is not suited for installation outdoors. Installations in humid rooms must be carried out by a qualified electrician/installer and must comply with the local electrical safety requirements. When installing the heater in humid rooms it must be secured in such way that there is no risk of the heater falling into any water container. Never pour water on the device or put it in a water container. The installer must make sure that switches and electrical controls cannot be touched by any person in a shower/bathtub/swimming pool etc.

Sundirect shall not be liable for any injuries or damages resulting from inadequate mounting or incorrect positioning close to water sources.

## **4. How to care for your Sundirect heater**

### **1. Cleaning**

Always unplug your heater and let it cool down completely before cleaning. Never dip into water and never splash water on it. Clean the heater with a soft damp cloth. For glass models such as the GD, MD series use a soft cloth and glass cleaner. Never use a wet cloth and make sure to dry the heater when clean with a dry cloth. Do not use any abrasive materials, solvents or harsh cleaning sponges as this could cause scratches or other irreparable damage. Before operating the heater again it must be completely dry.

### **2. Using/Working**

Please note that the heater may discolour with use. This is due to airborne pollution and is not a fault. If you wish to add a picture print to your heater please contact a Sundirect dealer. Do not cover your heater with a picture foil and do not paint or print the heater yourself. This might cause damage to the heating element and will void your warranty.

If you notice any noise, smells, visible changes or exceptionally high temperatures please discontinue use and contact an authorized Sundirect dealer.

### **3. Repair**

Repairs must be carried out by authorized Sundirect dealers or by Sundirect directly. If you attempt to alter the product or to proceed with any repairs yourself it will void your warranty.

### **4. Disposal**



Sundirect infrared heaters are electric appliances and therefore electric waste. At the end of its working life please dispose the heater in accordance with local regulations concerning electric waste.

## 5. Installation & Operation Guide

### 1. Description

This heater is equipped with our built-in thermostat receiver - Receiver01 - on the backside of the panel. Before starting the installation, we recommend you to pair the receiver to our remote control as a first step. Follow the guide below to finish the pairing to the Smart control system (e.g. Smart 1.0, Smart 1.0Pro).

On the right see the drawing of the signal lights and button of Receiver01.

- 1) Pair status signal light (**green light**)
- 2) Heating status signal light (**red light**)
- 3) "P" button
- 4) Power switch



### 2. Pairing to Sundirect Smart control system

Step1: Plug your heater to an electrical outlet, switch the Power switch of Receiver01 on, double press the "P" button and the "**Pair signal light**" will start to flash and is ready for pairing.

Step2: Power-off the remote control Smart 1.0/Smart 1.0Pro, long press the "SET" button. The "PAIR" signal will show on the screen of the remote control. Wait until the "**Pair signal light**" **stops flashing and glows green to finish the pairing**. Now the pairing process is finished and the Receiver01 will only be commanded by Smart 1.0/Smart 1.0Pro.

Note: After the pairing process and once Receiver01 and Smart 1.0/Smart 1.0Pro are paired, the pair signal light will always be on and the Receiver01 will be only commanded by the Smart 1.0/ Smart 1.0Pro. One Receiver01 can only pair to one Smart1.0/Smart1.0 Pro, however, One Smart 1.0/ Smart 1.0Pro thermostat can be paired to several Receiver01 if they are in the same room.

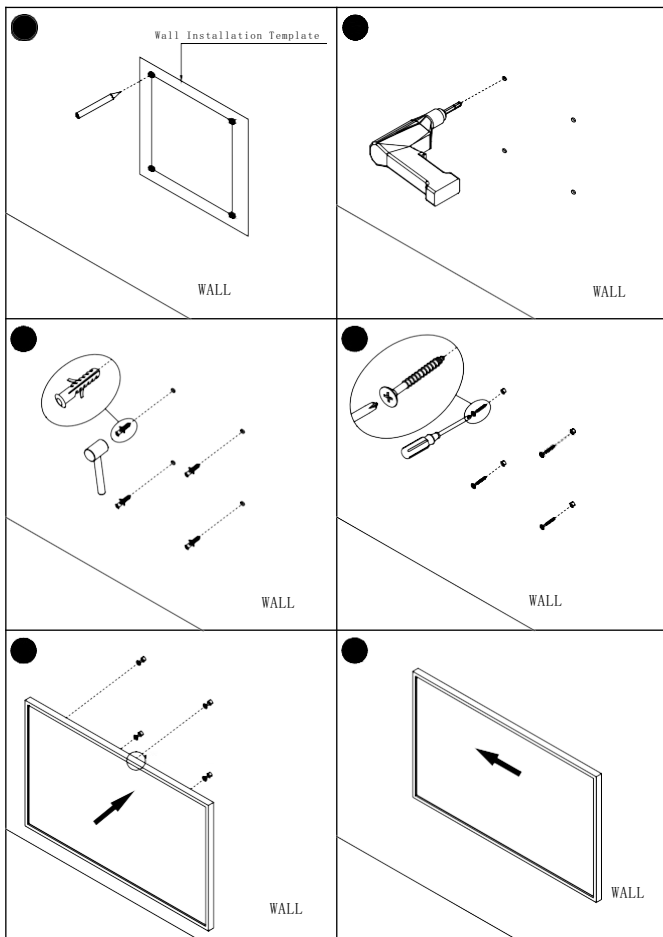
### 3. Bypass mode

Long-press the "P" button on Receiver01 until the "**Pair signal light**" **is off and the "Heating status signal light**" **on**, the panel will be reset to bypass mode. In the bypass mode, the Receiver01 is disabled and the panel is connected directly to the electricity.

## 5.4 Mounting installation for PE-Plus series

Note: The kit supplied in the package is designed for mounting on a solid wall. If mounted onto other types of walls, you will need appropriate fixings (not supplied). Please make sure the wall is safe to mount. We highly recommend having the panel installed by a qualified electrician or installer authorized by Sundirect.

If you wish to mount the above panels on the ceiling, please contact your Sundirect dealer to purchase the right ceiling bracket. For PE380-Plus, you need the bracket BC005, and for the other models, you will need BC004. You will find the mounting instruction in the package of BC004/BC005 separately.



Step 1. Use the supplied template to mark the position of the holes on the wall.

Step 2. Drill holes using a 8mm drill.

Step 3. Insert the dowels into the holes.

Step 4. Screw in the supplied screws to the wall.

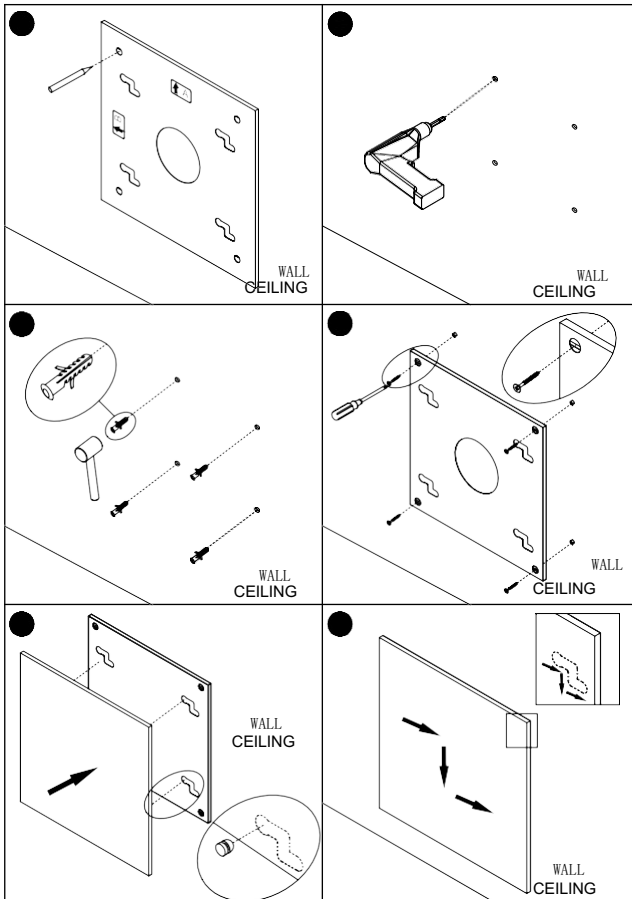
Step 5. Mount the panel on the screws.

Step 6. Move the panel to the right or left side until it's secured.

## 5.5 Mounting installation for IC-Plus/GD-Plus/MD-Plus series

The kit supplied in the package is designed for the mounting on a solid wall/ceiling. If mounted onto other types of wall/ceiling, you will need appropriate fixings (not supplied). Please make sure the wall/ceiling is safe to mount. We highly recommend to have the panel installed by a qualified electrician or installer authorized by Sundirect.

**Please note that GD-Plus/MD-Plus series are designed only for wall mounting, don't mount them on the ceiling.**



Step 1. Use the supplied mounting bracket to mark the position of the holes on the wall/ceiling. For vertical wall mounting, "A" signal will be the top of the mounting bracket. For horizontal wall mounting "B" signal will be the top of the mounting bracket.

Step 2. Drill holes using a 8mm drill.

Step 3. Insert the dowels into the holes.

Step 4. Screw the screws into the dowels through the holes on the mounting bracket.

Step 5. Mount the panel on the mounting bracket.

Step 6. Move the panel into two directions to make sure the panel is secured.

## 5.6 Electric power connection

Installation and electric connection should only be carried out by qualified personnel such as an electrician. National electric safety standards must be considered when wiring to this panel. This is a IEC protection Class 1 appliance and it must be earthed.

Make sure the mains power is switched off before you start the installation when hardwiring. Any fixed wiring outside the heater coming into contact with the heater must have a protection sleeving that is heat resistant of at least 90°C. Make sure that cables are not coiling and that there is no excess cable behind the heater. The length of the cable should be measured exactly to the length needed. Do not connect a heater that is damaged in any way to the power network. Before installation, make sure that the heater, cable and plug are completely free from damages. When in doubt contact your local Sundirect dealer for assistance.

## 6. Technical specifications:

Panels covered by these instructions are listed in the table below.

Model	Power	Size	Weight	Mounting	Built-in thermostat receiver	IP Protection
PE350-Plus	350W	60*60cm	4.1Kg	Wall/Ceiling	Yes	IPX2
PE380-Plus	380W	30*120cm	4.3Kg	Wall/Ceiling	Yes	IPX2
PE540-Plus	540W	60*90cm	6.0Kg	Wall/Ceiling	Yes	IPX2
PE700-Plus	700W	60*120cm	7.8Kg	Wall/Ceiling	Yes	IPX2
PE1000-Plus	1000W	85*120cm	11.4Kg	Wall/Ceiling	Yes	IPX2
IC400-Plus	400W	60*60cm	8.0Kg	Wall/Ceiling	Yes	IPX2
IC700-Plus	700W	62*98cm	13.8Kg	Wall/Ceiling	Yes	IPX2
IC900-Plus	900W	68*123cm	18.0Kg	Wall/Ceiling	Yes	IPX2
IC1100-Plus	1100W	63*153cm	20.0Kg	Wall/Ceiling	Yes	IPX2
GD400-Plus	400W	66*66cm	12.4Kg	Wall only	Yes	IP44
GD600-Plus	600W	60*100cm	16.4Kg	Wall only	Yes	IP44
GD800-Plus	800W	70*130cm	24.1Kg	Wall only	Yes	IP44
MD300-Plus	300W	66*66cm	12.4Kg	Wall only	Yes	IP44
MD450-Plus	450W	60*100cm	16.4Kg	Wall only	Yes	IP44
MD650-Plus	650W	70*130cm	24.1Kg	Wall only	Yes	IP44

## **7. Warranty**

Sundirect offers a 5 year manufacturing warranty on the heating panel and 2 year manufacturing warranty on the control system (including Receiver01, Smart 1.0/Smart 1.0Pro and so on).

You can find the serial number on the last page of this user manual. Please always keep this manual in case of future warranty claims.

Within the warranty period from date of purchase, Sundirect will repair or replace your heater where the fault is due to defects in workmanship or materials. Please contact your local Sundirect dealer in the event of a warranty claim and return the heater together with proof of purchase.

The warranty covers the repair or replacement of the heater only and Sundirect shall not be liable for any other occurring costs such as installation cost or any other consequential losses however incurred. Please note that tampering with or opening the heater in any way will void your warranty. The removal of the serial number on the back of the heater will also void this warranty. All labels on the back of the heater shall not be removed.

Any damages to the heater caused by the user are not covered by this warranty. This includes scratches on the surface or the frame. Sundirect is not responsible for any damages, losses or injuries due to ingress of water or moisture, accidental damage, mishandling, external impact, repairs or adjustment by unauthorized persons or failure to follow the correct safety, maintenance and installation precautions stated in this manual.

# ErP

## Information requirement for the electric local space heaters

Models: PE-Plus/IC-Plus/GD-Plus/MD-Plus + Smart1.0/Smart1.0 Pro

Item	Symbol	Value	Unit	Item	Unit	
<b>Heat output</b>				<b>Type of heat input, for electric storage local space heaters only(Select one)</b>		
Nominal heat output	Pnom	0.27-1.1	kW	manual heat charge control, with integrated thermostat	No	
Minimum heat output(indicative)	Pmin	0,0	kW	manual heat charge control with room and/or outdoor temperature feedback	No	
<b>Auxiliary electricity consumption</b>				fan assisted heat output		No
At nominal heat output	elmax	0.27-1.1	kW	<b>Type of heat output/room temperature control(select one)</b>		
At minmum heat output	elmin	0,0	kW	Single stage heat output and no room temperature control	No	
In Standby mode	eISB	0.001	kW	two or more manual stages, no room temperature control	No	
				with mechanic thermostat room temperature control	No	
				with electronic room temperature control	No	
				electronic room temperature control plus day timer	No	
				electronic room temperature control plus week timer	Yes	
				<b>Other control options(multiple selection possible)</b>		
				room temperature control, with presence detection	No	
				room temperature control, with open window detection	No	
				with distance control option	No	
				with adaptive start	Yes	
				with working time limitation	No	
				with black bulb sensor	No	

Contact details: Sundirect Technology Ltd.  
Unit 1203, 12/F, Sam Cheong Building  
216-220 Des Voeux Road Central, Hong Kong / China

**Serial Number of this Sundirect infrared heater is**

Sundirect Technology Ltd.  
Unit 1203, 12/F, Sam Cheong Building  
216-220 Des Voeux Road Central  
Hong Kong / China

Sundirect Logistics Europe  
Hofbauer GmbH  
Zimmerweg 4, 6020 Innsbruck  
Austria / Europe

[info@sundirect-heater.com](mailto:info@sundirect-heater.com)  
[www.sundirect-heater.com](http://www.sundirect-heater.com)

© 2018 Sundirect Technology Ltd.

1. Kennisgeving aan koper
2. Algemene introductie
3. Veiligheidsinstructies
  1. Product gerelateerde veiligheidswaarschuwingen
  2. Gevaar voor kinderen en personen met een handicap
  3. Elektrische veiligheidsinstructies
  4. Waterbestendig
4. Hoe om te gaan met je infrarood paneel
  1. Schoonmaken
  2. Gebruik
  3. Reparatie
  4. Afval
5. Installatie en bedieningshandleiding
  1. Beschrijving
  2. Verbinden met het Sundirect Smart control systeem
  3. Verbreken van de verbinding tussen de ontvanger en bediening
  4. Installatie handleiding voor PE-Plus series
  5. Installatie handleiding voor IC-Plus|GD-Plus|MD-Plus Series
  6. Elektrische aansluiting
6. Technische specificaties
7. Garantie

## **1. Kennisgeving aan koper**

Bedankt voor de aanschaf van dit Sundirect infraroodpaneel. We hopen dat u geniet van deze innovatieve technologie en dat dit product een aangename sfeer in uw huis zal brengen.

Lees deze instructies aandachtig door en bewaar het voor toekomstig gebruik. Als u deze instructies niet naleeft, vervalt uw garantie. Demonteer of knoei nooit met het product! Besteed speciale aandacht aan de veiligheidsinstructies en gebruik de heater volgens deze instructies. Sundirect Technology Ltd. is niet aansprakelijk voor enige schade of verlies als gevolg van het niet opvolgen van deze instructies.

## **2. General Introduction**

Sundirect Infrarood panelen verwarmen objecten in plaats van de lucht, waardoor deze verwarming veel efficiënter is dan traditionele convectie verwarming.

De Sundirect Plus-serie vertegenwoordigt een nieuwe generatie infrarood paneel verwarmers, uitgerust met een ingebouwde ontvanger in de aansluitdoos (artikelnummer: Reciever01) aan de achterkant van het paneel. De ontvanger moet worden gebruikt in combinatie met de Sundirect thermostaat - Smart 1.0 of Smart 1.0Pro (NIET inbegrepen in de doos) - om te voldoen aan de Ecodesign-wetgeving van de EU/EC-richtlijn 2009/125/EC.

Onze thermostaat Smart 1.0 heeft de volgende kenmerken:

- 7 dagen programma, elke dag 4 tijdzones
- Adaptieve start

Hoewel de afstandsbediening Smart 1.0Pro een verbeterde versie van Smart 1.0 is en de volgende kenmerken heeft:

- 7 dagen programma, elke dag 4 tijdzones
- Open raam technologie
- Adaptieve start
- Op afstand bestuurbaar via mobiele APP.

Gedetailleerde specificaties en instructies vindt u in de handleiding van Smart 1.0/1.0Pro, los van deze handleiding.

Dit product voldoet aan de LVD-richtlijn 2014/35/EU en de EMC-richtlijn 2014/30/EU en voldoet aan de volgende normen:

EN60335-1:2012+A11:2014

EN60335-2-30:2009+A11:2012

EN62233:2008

RoHS 2011/65/EU

RED2014/53/EU

**Lees de installatie- en bedieningsinstructies volledig door voordat u met installatiewerkzaamheden begint en bewaar de instructies voor later gebruik.**



### **3. Veiligheidsinstructies**

**OM HET RISICO OP BRAND, ELEKTRISCHE SCHOK OF LETSEL TE VERMINDEREN:**

#### **1. Productgerelateerde veiligheidswaarschuwingen**

- Sundirect-infraroodpanelen werken bij wandmontage met een oppervlaktetemperatuur van ongeveer 95°C. Raak het paneel NIET aan wanneer deze is ingeschakeld..
- Langdurig contact kan verwondingen of brandwonden veroorzaken..
- Bedek het infrarood paneel NIET. Afdekken kan oververhitting veroorzaken en kan brand veroorzaken.
- De kachel mag NIET worden gebruikt om textiel te drogen en er mogen geen voorwerpen tegen de kachel worden geplaatst.
- Houd een afstand van minimaal 40 cm aan de voorkant en 20 cm aan de zijkanten tot elk object, muur of plafond. Als u dit niet doet, zal er zich warmte ophopen achter de kachel en vervalt uw garantie.
- Als u het infrarood paneel aan het plafond monteert, houd dan een minimale afstand van 2 cm tot het plafond om een luchtstroom te garanderen en oververhitting van de kachel te voorkomen.
- Als u de verwarming in een plafondrooster integreert, zorg er dan voor dat u geen isolatiemateriaal rechtstreeks op de achterkant van het paneel plaatst om oververhitting te voorkomen.

#### **3.2 Gevaar voor kinderen en mensen met een beperking!**

- Kinderen of personen met beperkte fysieke, mentale of zintuiglijke vermogens mogen de verwarming niet bedienen, inschakelen, aansluiten, regelen of schoonmaken.
- Houd kleine kinderen uit de buurt van de verwarming, tenzij ze constant onder toezicht staan.
- Gebruik de kachel NIET in kleine kamers wanneer deze worden bewoond door mensen die de kamer niet zelf kunnen verlaten. Het oppervlak van de kachel kan een oppervlaktetemperatuur bereiken tot 95°C, buiten bereik van kinderen en gehandicapten houden.
- Houd baby's en kinderen uit de buurt van verpakkingsmateriaal zoals plastic zakken om verstikkingsgevaar te voorkomen.

### 3.3 Elektrische veiligheidsinstructies

- Bij het installeren, repareren of onderhouden van de kachel moet deze zijn uitgeschakeld en losgekoppeld van de stroomvoorziening. Controleer voor de installatie of de kachel vrij is van beschadigingen.
- Als het infraroodpaneel of het netsnoer op welke manier dan ook beschadigd is, gebruik de verwarming dan NIET en neem contact op met uw Sundirect dealer voor reparatie of vervanging. Reparaties, onderhoud of eventuele wijzigingen dienen te worden uitgevoerd door een geautoriseerde Sundirect dealer.
- Probeer het verwarmingspaneel NIET zelf te repareren, hierdoor vervalt uw garantie.
- Als het verwarmingspaneel is gevallen, gebruik hem dan NIET en neem contact op met uw Sundirect-dealer om er zeker van te zijn dat hij vrij is van schade.
- Als het veiligheidsglas uit de GD-Plus/MD-Plus-serie op enige wijze is beschadigd, moet u het verwarmingspaneel zo snel mogelijk demonteren om letsel door mogelijke impact van het vallende glas te voorkomen.
- Sundirect-verwarmers zijn ontworpen om te werken op 220-240V, 50Hz AC. Als uw elektriciteitsnet hier niet aan voldoet, mag u de verwarming NIET gebruiken.

### 3.4 Waterbestendig

Sundirect infraroodstralers hebben verschillende IP-classificaties op verschillende modellen. Zorg ervoor dat u alleen verwarmingen met IP44-classificatie in vochtige ruimtes installeert. Kachels met IPX2-classificatie zijn niet geschikt voor installatie in badkamers enz. Controleer zorgvuldig de specificaties om te bevestigen of uw kachel geschikt is voor installatie in vochtige ruimtes.

Deze verwarming is niet geschikt voor buitengebruik. Installaties in vochtige ruimtes moeten worden uitgevoerd door een gekwalificeerde elektricien/installateur en moeten voldoen aan de lokale elektrische veiligheidseisen. Bij installatie van het infrarood paneel in vochtige ruimtes moet deze zodanig worden vastgezet dat er geen risico bestaat dat het paneel in het water valt. Giet nooit water op het apparaat en doe het nooit in een waterbak. De installateur moet ervoor zorgen dat schakelaars en elektrische bedieningselementen niet door personen in een douche/bad/zwembad enz. kunnen worden aangeraakt.

Sundirect is niet aansprakelijk voor enig letsel of schade als gevolg van onjuiste montage of onjuiste plaatsing in de buurt van waterbronnen.

## 4. Hoe zorg je voor het Sundirect infrarood paneel

### 1. Schoonmaken

Haal altijd de stekker uit het stopcontact en laat hem volledig afkoelen voordat je hem schoonmaakt. Dompel nooit in water en spetter er nooit water op. Reinig het paneel met een zachte, vochtige doek. Gebruik voor glasmodellen zoals de GD, MD-serie een zachte doek en glasreiniger. Gebruik nooit een natte doek en zorg ervoor dat u de verwarming droogt met een droge doek. Gebruik geen schurende materialen, oplosmiddelen of agressieve reinigingssponzen, aangezien dit krassen of andere onherstelbare schade kan veroorzaken. Voordat u de kachel weer gebruikt, moet deze volledig droog zijn.

### 2. Gebruik

Houd er rekening mee dat de heater door gebruik kan verkleuren. Dit komt door luchtvervuiling en is geen fout. Neem contact op met een Sundirect dealer als u een fotoprint wilt toevoegen aan uw paneel. Dek uw paneel niet af met fotofolie en beschilder of bedruk de kachel niet zelf. Hierdoor kan het verwarmingselement beschadigd raken en vervalt uw garantie.

Als u geluid, geuren, zichtbare veranderingen of uitzonderlijk hoge temperaturen waarneemt, stop dan met het gebruik en neem contact op met een geautoriseerde Sundirect dealer.

### **3. Reparatie**

Reparaties dienen te worden uitgevoerd door geautoriseerde Sundirect dealers of rechtstreeks door Sundirect. Als u probeert het product te wijzigen of zelf reparaties uit te voeren, vervalt uw garantie.

### **4. Weggoien**



Sundirect infraroodstralers zijn elektrische apparaten en dus elektrisch afval. Gooi het infraroodpaneel aan het einde van zijn levensduur weg in overeenstemming met de lokale regelgeving met betrekking tot elektrisch afval.

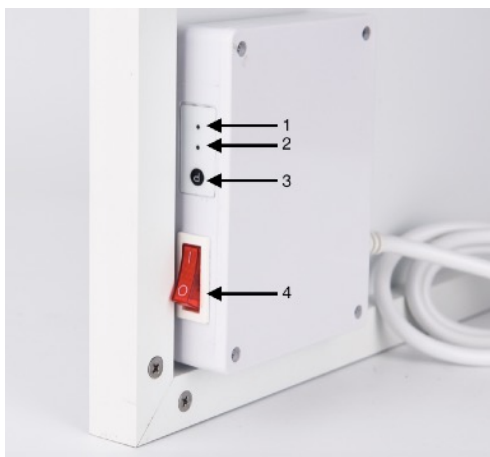
## 5. Installatie & bedieningshandleiding

### 1. Beschrijving

Dit infrarood paneel is voorzien van onze ingebouwde ontvanger - Receiver01 - aan de achterzijde van het paneel. Voordat u met de installatie begint, raden wij u aan om als eerste stap de ontvanger aan onze thermostaat te koppelen. Volg de onderstaande stappen om de koppeling met het Smart-besturingssysteem (bijv. Smart 1.0, Smart 1.0Pro) te voltooien.

Zie hiernaast de tekening van de signaallampen en knop van Receiver01.

- 1) Koppelstatus signaal (**groen licht**)
- 2) Verwarming aan (**rood licht**)
- 3) "P" Programma knop
- 4) Aan/uit schakelaar



### 2. Koppeling met het Sundirect smart systeem

1. Steek de stekker van het infrarood paneel in een stopcontact, zet de Power-schakelaar van Receiver01 aan, druk twee keer op de "P"-knop en het "koppelstatus signaal licht" begint te knipperen en is klaar om te verbinden.
2. Zet de thermostaat Smart 1.0 (Pro) uit en druk lang op de knop "SET". Het "koppel"-signaal verschijnt op het scherm van de thermostaat. Wacht tot het "koppel signaal lampje" op de ontvanger stopt met knipperen en groen oplicht om het koppelen te voltooien. Nu is het koppelingsproces voltooid en zal de Receiver01 alleen worden aangestuurd door Smart (Pro).

Opmerking: Na het koppelingsproces en zodra Receiver01 en Smart (Pro) zijn gekoppeld, zal het koppelsignaallampje altijd branden en kan de Receiver01 alleen worden bediend door de Smart thermostaat. Eén Receiver01 kan slechts aan één Smart(Pro) worden gekoppeld, maar één Smart (Pro)-thermostaat kan aan meerdere Receiver01 worden gekoppeld als deze zich in dezelfde kamer bevinden.

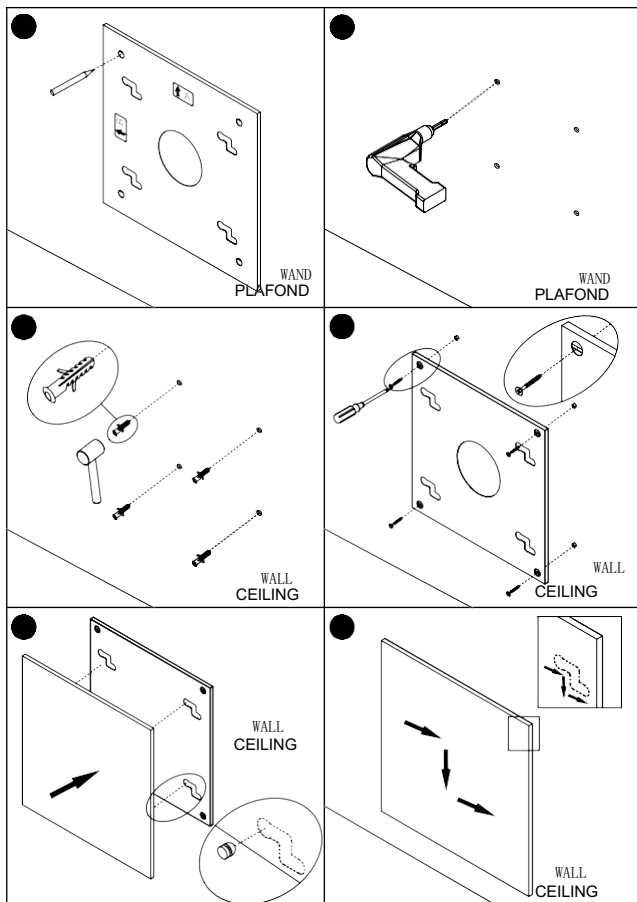
### 3. Handmatige modus

Houd de "P"-knop op ontvanger lang ingedrukt totdat het "koppelsignaallampje" uit is en het "rode signaallampje verwarming" aan, het paneel wordt teruggezet naar de handmatige modus. In de handmatige modus is de Receiver01 uitgeschakeld en wordt het paneel rechtstreeks op het elektriciteitsnet aangesloten.

## 5.5 Montage-installatie voor IC-Plus/GD-Plus/MD-Plus-serie

De meegeleverde kit is ontworpen voor montage aan een massieve wand/plafond. Bij montage op andere soorten wand/plafond heeft u geschikte bevestigingen nodig (niet meegeleverd). Zorg ervoor dat de muur/het plafond veilig kan worden gemonteerd. Wij raden ten zeerste aan om het paneel te laten installeren door een gekwalificeerde elektricien of door Sundirect geautoriseerde installateur.

**Houd er rekening mee dat de GD-Plus/MD-Plus-serie alleen is ontworpen voor wandmontage, monteer ze niet aan het plafond.**



1. Gebruik de meegeleverde montagebeugel om de positie van de gaten op de muur/plafond te markeren. Voor verticale wandmontage is het "A"-signaal de bovenkant van de montagebeugel. Voor horizontale wandmontage is het "B"-signaal de bovenkant van de montagebeugel.
2. Boor gaten met een 8 mm boor.
3. Steek de pluggen in de gaten.
4. Draai de schroeven in de pluggen door de gaten op de montagebeugel.
5. Monteer het paneel op de montagebeugel.
6. Verplaats het paneel in twee richtingen om ervoor te zorgen dat het paneel goed vastzit.

## 5.6 Elektrische stroom aansluiting

Installatie en elektrische aansluiting mogen alleen worden uitgevoerd door gekwalificeerd personeel, zoals een elektricien. Bij de bedrading naar dit paneel moet rekening worden gehouden met nationale elektrische veiligheidsnormen. Dit is een apparaat van IEC-beschermingsklasse 1 en moet worden geaard.

Zorg ervoor dat de netvoeding is uitgeschakeld voordat u begint met de installatie bij de bedrading. Alle vaste bedrading buiten het paneel die in contact komt met het paneel moeten een beschermhuls hebben die hittebestendig is van minimaal 90°C. Zorg ervoor dat de kabels niet oprollen en dat er geen overtollige kabel achter de verwarming zit. De lengte van de kabel moet precies op de benodigde lengte worden gemeten. Sluit een verwarming die op enige wijze beschadigd is niet aan op het elektriciteitsnet. Zorg er voor de installatie voor dat het paneel, kabel en stekker volledig vrij zijn van beschadigingen. Neem bij twijfel contact op met uw plaatselijke Sundirect-dealer voor hulp.

## 6. Technische specificaties:

De panelen die onder deze instructies vallen, staan in de onderstaande tabel.

Model	Wattage	Afmeting	Gewicht	Montage	Ingebouwde ontvanger	IP protectie
PE350-Plus	350W	60*60cm	4.1Kg	Wall/Ceiling	Yes	IPX2
PE380-Plus	380W	30*120cm	4.3Kg	Wall/Ceiling	Yes	IPX2
PE540-Plus	540W	60*90cm	6.0Kg	Wall/Ceiling	Yes	IPX2
PE700-Plus	700W	60*120cm	7.8Kg	Wall/Ceiling	Yes	IPX2
PE1000-Plus	1000W	85*120cm	11.4Kg	Wall/Ceiling	Yes	IPX2
IC400-Plus	400W	60*60cm	8.0Kg	Wall/Ceiling	Yes	IPX2
IC700-Plus	700W	62*98cm	13.8Kg	Wall/Ceiling	Yes	IPX2
IC900-Plus	900W	68*123cm	18.0Kg	Wall/Ceiling	Yes	IPX2
IC1100-Plus	1100W	63*153cm	20.0Kg	Wall/Ceiling	Yes	IPX2
GD400-Plus	400W	66*66cm	12.4Kg	Wall only	Yes	IP44
GD600-Plus	600W	60*100cm	16.4Kg	Wall only	Yes	IP44
GD800-Plus	800W	70*130cm	24.1Kg	Wall only	Yes	IP44
MD300-Plus	300W	66*66cm	12.4Kg	Wall only	Yes	IP44
MD450-Plus	450W	60*100cm	16.4Kg	Wall only	Yes	IP44
MD650-Plus	650W	70*130cm	24.1Kg	Wall only	Yes	IP44

## **7. Garantie**

Sundirect geeft 5 jaar fabrieksgarantie op het verwarmingspaneel en 2 jaar fabrieksgarantie op het besturingssysteem (inclusief Receiver01, Smart 1.0/Smart 1.0Pro enzovoort).

U vindt het serienummer op de laatste pagina van deze gebruikershandleiding. Bewaar deze handleiding altijd voor het geval u in de toekomst aanspraak maakt op garantie.

Binnen de garantieperiode vanaf de aankoopdatum zal Sundirect uw paneel repareren of vervangen als het defect te wijten is aan fabricage- of materiaalfouten. Neem in het geval van een garantieclaim contact op met uw plaatselijke Sundirect-dealer en stuur het paneel samen met het aankoopbewijs terug.

De garantie dekt alleen de reparatie of vervanging van het infrarood paneel en Sundirect is niet aansprakelijk voor eventuele andere kosten zoals installatiekosten of andere gevolgschade, hoe dan ook ontstaan. Houd er rekening mee dat door het knoeien met of het openen van het infrarood paneel op welke manier dan ook uw garantie komt te vervallen. Het verwijderen van het serienummer op de achterkant van de kachel maakt deze garantie ook ongeldig. Alle labels op de achterkant van het paneel mogen niet worden verwijderd.

Eventuele schade aan het paneel veroorzaakt door de gebruiker valt niet onder deze garantie. Dit omvat krassen op het oppervlak of het frame. Sundirect is niet verantwoordelijk voor enige schade, verlies of letsel als gevolg van het binnendringen van water of vocht, accidentele schade, verkeerd gebruik, externe impact, reparaties of aanpassingen door onbevoegde personen of het niet opvolgen van de juiste veiligheids-, onderhouds- en installatievoorzorgsmaatregelen die in deze handleiding worden vermeld.

# ErP

## Informatievereiste voor de elektrische toestellen voor lokale ruimteverwarming

Models: PE-Plus/IC-Plus/GD-Plus/MD-Plus + Smart1.0/Smart1.0 Pro

Item	Symbol	Value	Unit	Item	Unit	
<b>Heat output</b>				<b>Type of heat input, for electric storage local space heaters only(Select one)</b>		
Nominal heat output	Pnom	0.27-1.1	kW	manual heat charge control, with integrated thermostat	No	
Minimum heat output(indicative)	Pmin	0,0	kW	manual heat charge control with room and/or outdoor temperature feedback	No	
<b>Auxiliary electricity consumption</b>				fan assisted heat output		No
At nominal heat output	elmax	0.27-1.1	kW	<b>Type of heat output/room temperature control(select one)</b>		
At minmum heat output	elmin	0,0	kW	Single stage heat output and no room temperature control	No	
In Standby mode	eISB	0.001	kW	two or more manual stages, no room temperature control	No	
				with mechanic thermostat room temperature control	No	
				with electronic room temperature control	No	
				electronic room temperature control plus day timer	No	
				electronic room temperature control plus week timer	Yes	
				<b>Other control options(multiple selection possible)</b>		
				room temperature control, with presence detection	No	
				room temperature control, with open window detection	No	
				with distance control option	No	
				with adaptive start	Yes	
				with working time limitation	No	
				with black bulb sensor	No	

Contact details: Sundirect Technology Ltd.  
Unit 1203, 12/F, Sam Cheong Building  
216-220 Des Voeux Road Central, Hong Kong / China

**Serial Number of this Sundirect infrared heater is**

Sundirect Technology Ltd.  
Unit 1203, 12/F, Sam Cheong Building  
216-220 Des Voeux Road Central  
Hong Kong / China

Sundirect Logistics Europe  
Hofbauer GmbH  
Zimmerweg 4, 6020 Innsbruck  
Austria / Europe

[info@sundirect-heater.com](mailto:info@sundirect-heater.com)  
[www.sundirect-heater.com](http://www.sundirect-heater.com)

© 2018 Sundirect Technology Ltd.