

ECOSUN TH

1. Technical data

Type	Wattage [W]	Voltage [V]	Protection class	IP	Dimensions [mm]	Weight [kg]
ECOSUN TH 10	1000	230 V 1N	I	IP 45	1080x140x45	5
ECOSUN TH 15	1500				1580x140x45	7,2

2. Use

ECOSUN TH (**Terrace Heaters**) are designed for the zonal heating of winter gardens, enclosed and roofed balconies and terraces, garden tents, churches, etc. – i.e., applications where they are protected against direct contact with the effects of the weather.

ECOSUN TH panels have a significantly lower surface temperature than halogen heaters, and they do not radiate unwanted light when in operation.

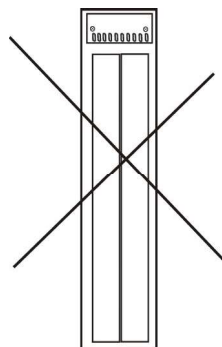
It is possible to use panels at temperatures as low as +5 to +10°C; at lower temperatures the lamellas will become very cold and the heat they radiate will be almost unnoticeable.

3. Installation

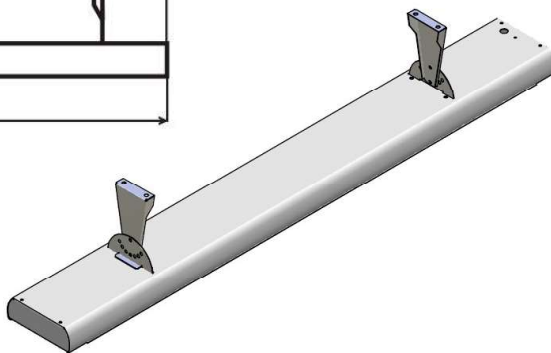
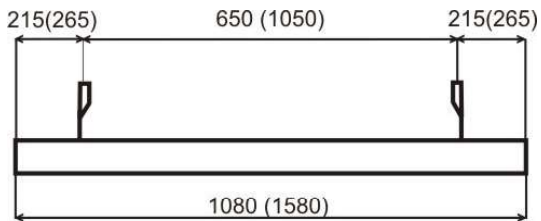
Tiltable brackets are used for the attachment of panels to the ceiling or wall. The brackets are supplied with the panel, disassembled. Panels can also be hung from the ceiling using chains or cords.

Metal wall anchors must be used for the attachment of the brackets, chains or cords.

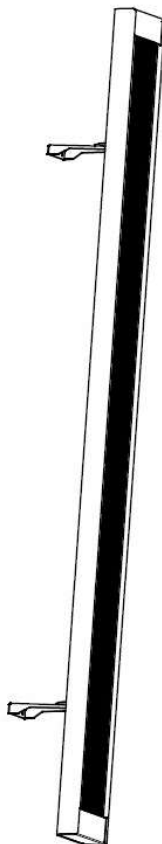
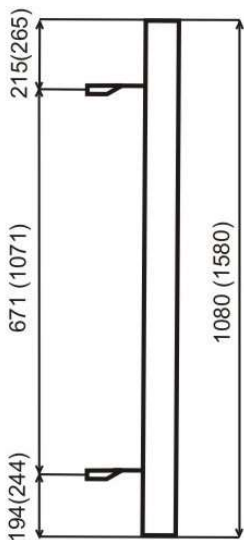
The radiant panel can be installed at an angle as well as vertically, but it mustn't be installed at an angle or vertically in such a way that the supply lead and terminal are at the highest point of the panel. There is higher convection of heat when the panel is tilted and this heat would irreversibly damage the electrical equipment of the terminal.



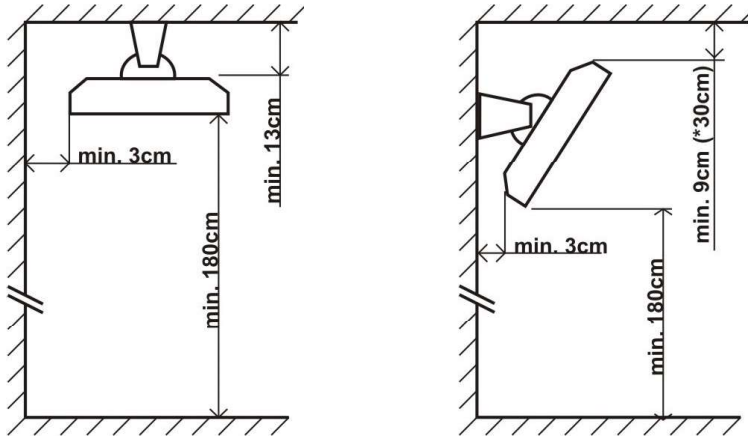
Horizontal installation:



Vertical installation:



Clearance distances.



*there is a danger that the ceiling may be soiled by burnt particles in dusty and smoky environments

Clearance distances from flammable objects:

- min. 100 cm from the radiant surface
- the panel mustn't be placed directly under an electric socket

4. Connection of the panel

The panel is fitted with a 2m long connection lead with a plug.

In the case of connection to a wiring box, the cutting off of a plug is not a reason for loss of warranty. In this case, a switching-off device in which the distance between disconnected contacts is at least 3.5 mm for all poles must be installed in the wiring.

The heating and switching off/on of the panels can be controlled via switches and remote controls which switch the relays and contactors in the switch board.

Electrical installations must comply with the valid standards in the country where they are installed.

5. Maintenance

This is limited only to dusting and possibly wiping with a damp cloth and detergent. The radiant surface is not cleaned.

6. Important information

- During the first heating of the panel, burning out of the material takes place, which can cause a harmless smell (smoke) for a period of max. 60 minutes.
- Do not touch the heating segments in order not to make the radiant surfaces dirty (if necessary then only in clean textile gloves). The temperature of the surroundings of the heating panel (the temperature of the surrounding air) mustn't exceed 30°C.
- When installed on wood, temperatures behind the panels can lead to drying out, which can result in fading, cracking and even deformation of the wood. This effect depends on the type of wood, the humidity of the wood and the relative humidity in the room. Pay attention to the professional and safe installation of the panel, especially for these substrates.
- This appliance can only be used by children of 8 years of age and persons with impaired physical, sensory or mental abilities or lack of experience if they are supervised or have been instructed about the safe use of the appliance and if they understand the possible dangers.
- Children must not play with the appliance. The cleaning and maintenance carried out by the user must not be done by unsupervised children.
- Children under 3 years of age should be prevented from accessing the appliance, unless they are supervised permanently.
- Children aged 3 to 8 can only switch this appliance on/off providing it is placed or installed in its intended normal operating position and if they are supervised or instructed about the safe use of the appliance and they understand the possible dangers. Children aged 3 to 8 must not insert the plug into a socket, regulate or clean the appliance or carry out maintenance which is done by the user.

Important safety instructions – WARNING

Do not cover the panel under any circumstances. The statement “DO NOT COVER” warns that any material covering the panel may cause a fire!

Some parts of this product may become very hot and cause burns. Special attention must be paid when children or handicapped people are present.

7. Warranty conditions

24 months from the date of sale. The warranty doesn't apply to faults caused by transportation, unsuitable storage or inexpert installation.

Up-to-date and complete warranty conditions can be found on: www.fenixgroup.eu

Date of sale:

Production number:

Seller:



Fenix s.r.o.

Jaroslava Ježka 1338/18a, 790 01 Jeseník

tel.: +420 584 495 442, fax: +420 584 495 431

e-mail: fenix@fenixgroup.cz , <http://www.fenixgroup.cz>

Fenix Trading s.r.o.

Slezská 2, 790 01 Jeseník

tel.: +420 584 495 304, fax: +420 584 495 303

e-mail: fenix@fenixgroup.cz , <http://www.fenixgroup.cz>